

技术特性 / Specifications:

额定电压 Rated voltage: 250V AC, DC
 额定电流 Rated current: 3A AC, DC
 接触电阻 Contact resistance: 20mΩ max
 绝缘电阻 Insulation resistance: 1000MΩ min
 耐压 Withstand voltage: 800V AC/minute
 环境温度 Ambient temperature: -25℃~+85℃

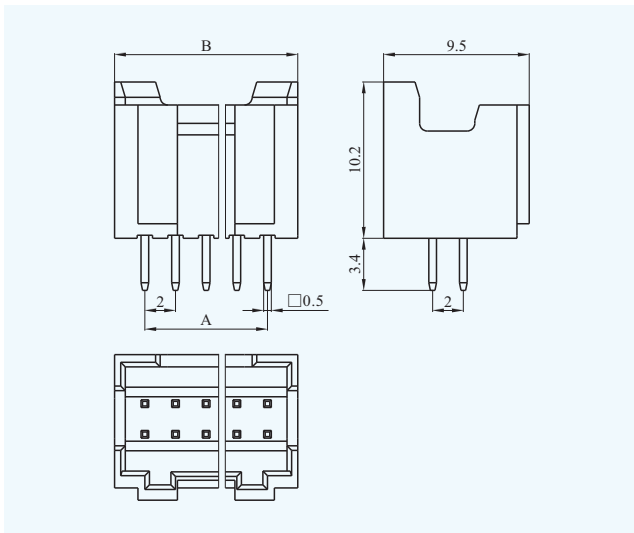
材料 / Materials:

孔座 Housing: 尼龙(Nylon)UL94V-0(2)
 针座 Wafer: 尼龙(Nylon)UL94V-0(2)
 端子 Terminal: 磷青铜Phosphor bronze, 镀锡Tin plated

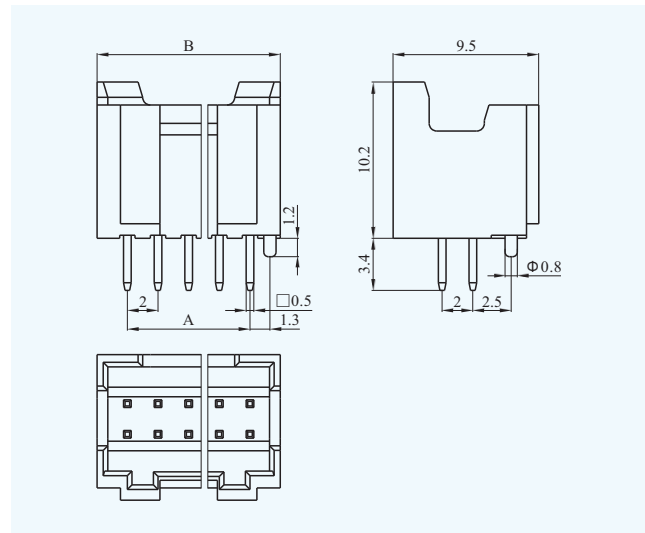
端子规格 / Terminal Specification:

Model No.	Applicable wire			Qty/reel
	mm ²	AWG#	Insulation O.D.(mm)	
PAD-T	0.05~0.22	30~24	φ 0.9~1.5	10000

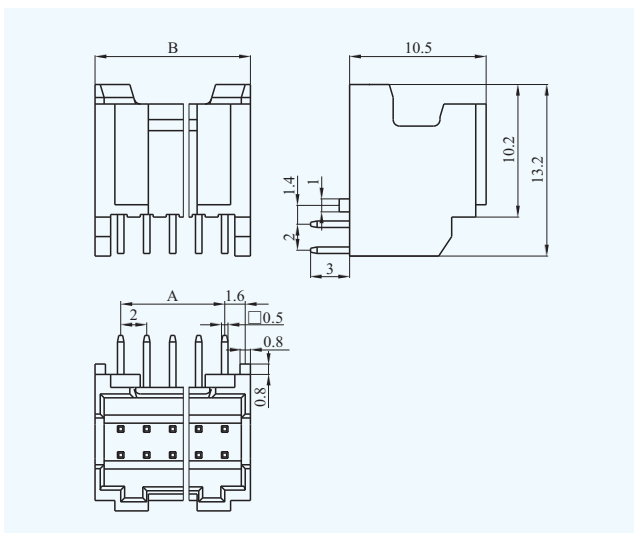
DL20034-A(PAD-A)



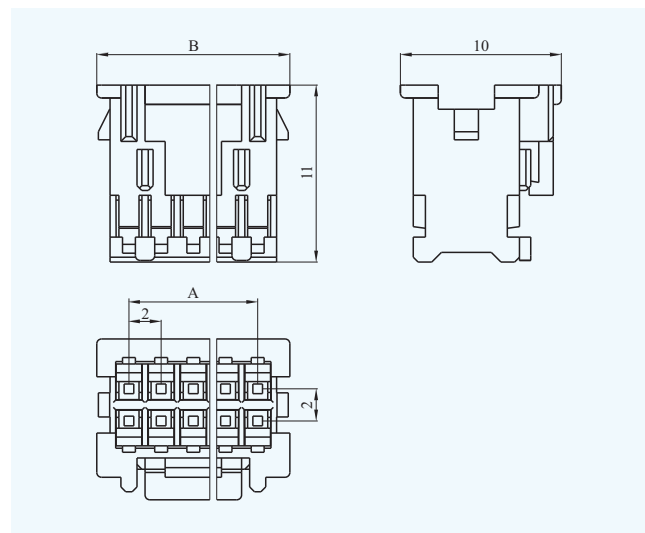
DL20034-AS(PAD-AS)



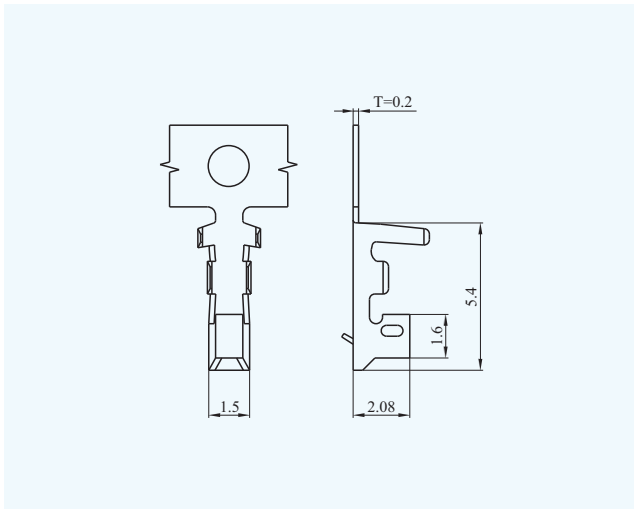
DL20034-AWDS(PAD-AWDS)



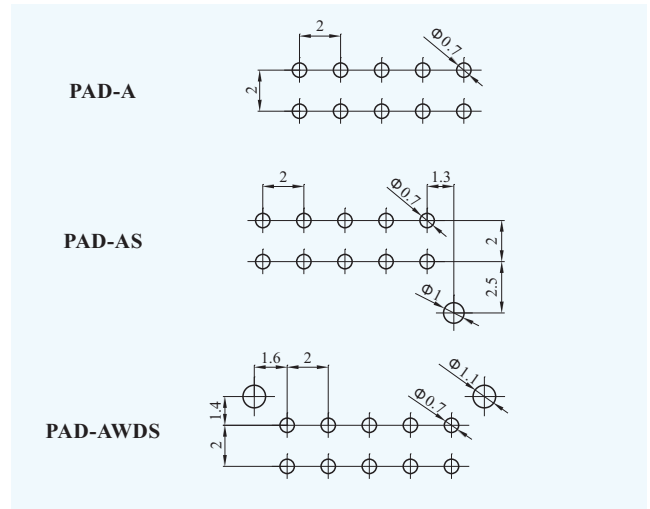
DL20034-Y(PAD-Y)



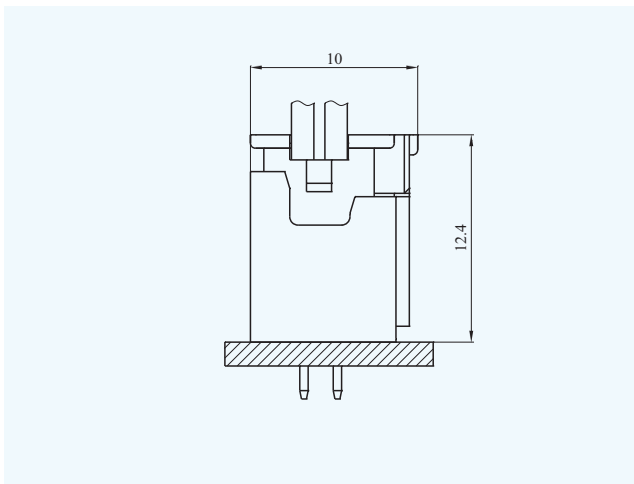
DL20034-T(PAD-T)



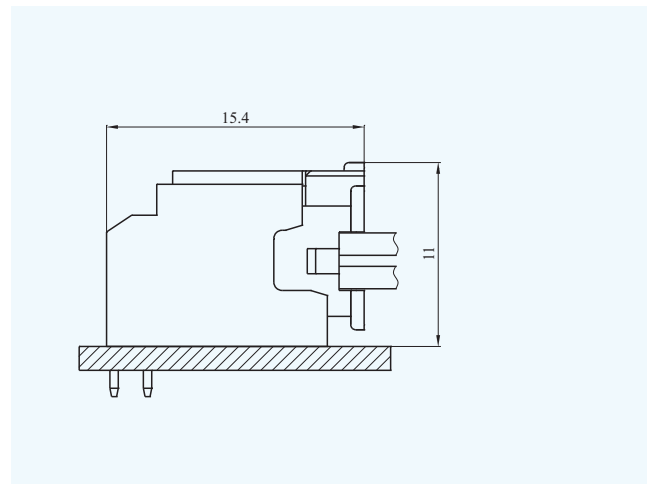
安装尺寸 / Mounting measurement



PAD-A



PAD-AWDS



型号规格 / Type Specification

Circuits	Type	Dimensions(mm)	
		A	B
2 × 2	PAD-4A/AS/AWDS	2.00	6.00
2 × 3	PAD-6A/AS/AWDS	4.00	8.00
2 × 4	PAD-8A/AS/AWDS	6.00	10.00
2 × 5	PAD-10A/AS/AWDS	8.00	12.00
2 × 6	PAD-12A/AS/AWDS	10.00	14.00
2 × 7	PAD-14A/AS/AWDS	12.00	16.00
2 × 8	PAD-16A/AS/AWDS	14.00	18.00
2 × 9	PAD-18A/AS/AWDS	16.00	20.00
2 × 10	PAD-20A/AS/AWDS	18.00	22.00
2 × 11	PAD-22A/AS/AWDS	20.00	24.00
2 × 12	PAD-24A/AS/AWDS	22.00	26.00
2 × 13	PAD-26A/AS/AWDS	24.00	28.00
2 × 14	PAD-28A/AS/AWDS	26.00	30.00
2 × 15	PAD-30A/AS/AWDS	28.00	32.00
~	~	~	~
2 × 20	PAD-40A/AS/AWDS	38.00	42.00

Circuits	Type	Dimensions(mm)	
		A	B
2 × 2	PAD-4Y	2.00	6.00
2 × 3	PAD-6Y	4.00	8.00
2 × 4	PAD-8Y	6.00	10.00
2 × 5	PAD-10Y	8.00	12.00
2 × 6	PAD-12Y	10.00	14.00
2 × 7	PAD-14Y	12.00	16.00
2 × 8	PAD-16Y	14.00	18.00
2 × 9	PAD-18Y	16.00	20.00
2 × 10	PAD-20Y	18.00	22.00
2 × 11	PAD-22Y	20.00	24.00
2 × 12	PAD-24Y	22.00	26.00
2 × 13	PAD-26Y	24.00	28.00
2 × 14	PAD-28Y	26.00	30.00
2 × 15	PAD-30Y	28.00	32.00
~	~	~	~
2 × 20	PAD-40Y	38.00	42.00