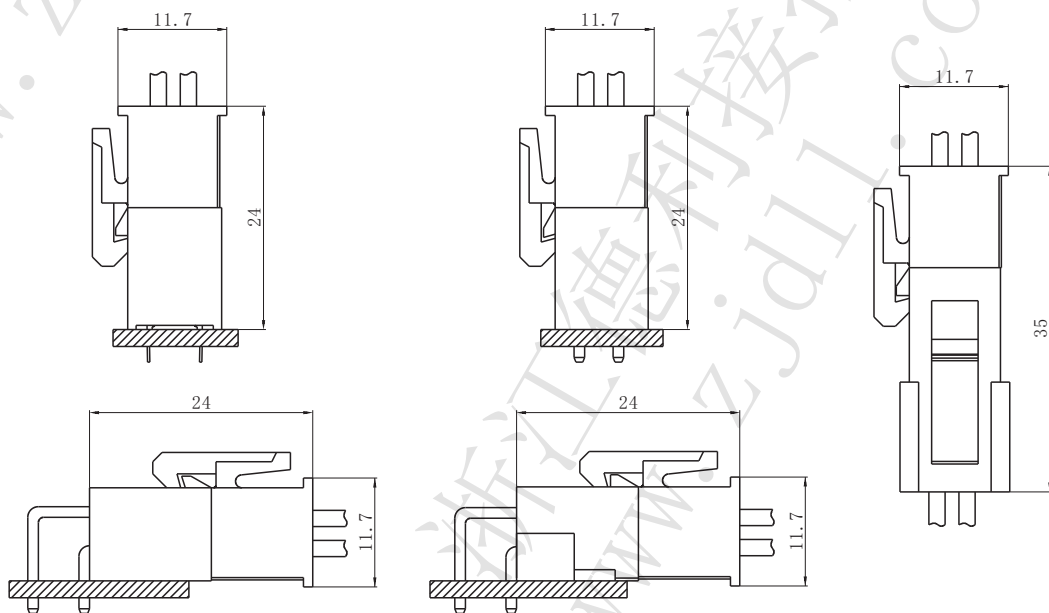


技术特性/Specifications:

额定电压 Rated voltage: 300V AC, DC
 额定电流 Rated current: 9A AC, DC
 接触电阻 Contact resistance: 20mΩ max
 绝缘电阻 Insulation resistance: 1000MΩ min
 耐压 Withstand voltage: 1500V AC/minute
 环境温度 Ambient temperature: -25°C~+85°C
 适用线规 Wire range: AWG#28~#16

PC电路板布局和组件布局 PC board layout and Assembly layout

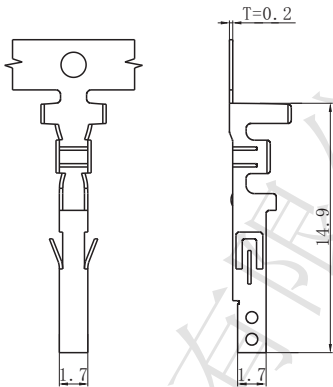
▣ Assembly layout (装配布局)



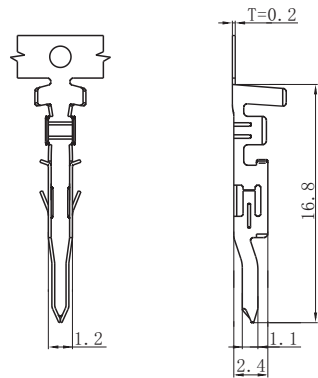
上图为连接器安装侧观察图

Notes: The above figure is the figure viewed from the connector mounting side.

DL42002-T (5556-T)



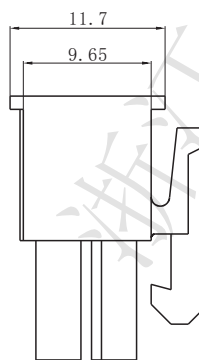
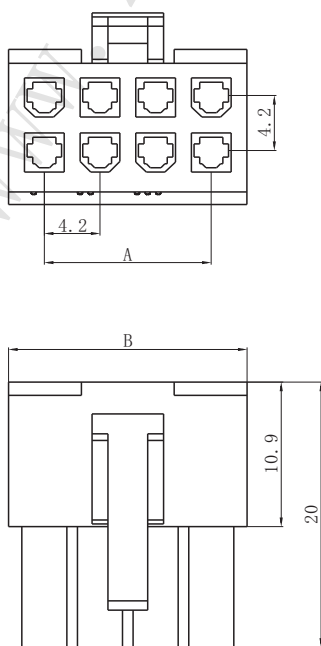
DL42002-RT (5558-RT)



Model No. (型号)	Applicable wire (适用线规)			Material (材料)	Plating (电镀)	Qty/reel (数量/盘)
	mm ²	AWG#	Insulation O.D. (绝缘外径mm)			
DL42002-T (5556-T)	0.08~1.30	28~16	φ 0.9~2.7	Phosphor bronze (磷青铜)	Tin Plated (镀锡)	3500
DL42002-RT (5558-RT)	0.08~0.82	28~18	φ 0.9~1.9	Phosphor bronze (磷青铜)	Tin Plated (镀锡)	5000

符合RoHS标准
RoHS compliance
注：镀金产品请联系DLL
Note: Contact DLL for gold-plated products.

DL42002-Y (5557-Y)



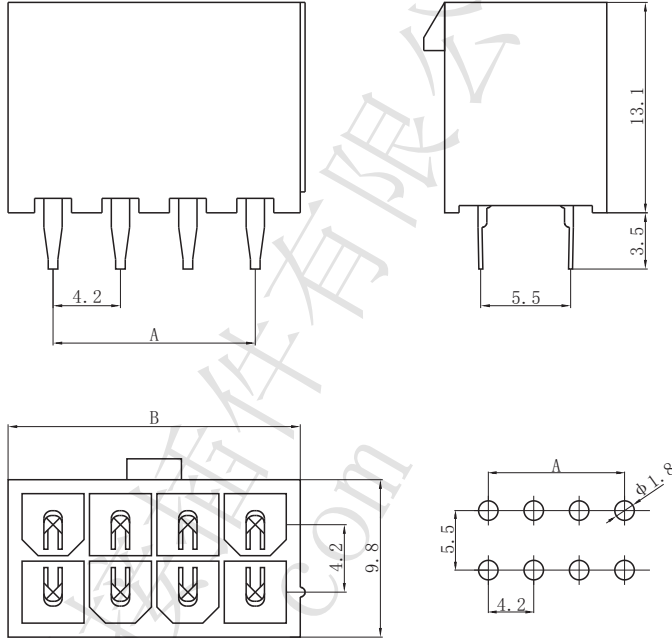
Circuits (电路)	Dimensions (尺寸mm)	
	A	B
2X1	/	5.40
2X2	4.20	9.60
2X3	8.40	13.80
2X4	12.60	18.00
2X5	16.80	22.20
2X6	21.00	26.40
2X7	25.20	30.60
2X8	29.40	34.80
2X9	33.60	39.00
2X10	37.80	43.20
2X11	42.00	47.40
2X12	46.20	51.60

Material (材料)

Housing (胶壳): Nylon (尼龙) UL94- V0 (2)

符合RoHS标准
RoHS compliance

DL42003-A (5566-A)



Circuits (电路)	Dimensions (尺寸mm)	
	A	B
2X1	/	5.40
2X2	4.20	9.60
2X3	8.40	13.80
2X4	12.60	18.00
2X5	16.80	22.20
2X6	21.00	26.40
2X7	25.20	30.60
2X8	29.40	34.80
2X9	33.60	39.00
2X10	37.80	43.20
2X11	42.00	47.40
2X12	46.20	51.60

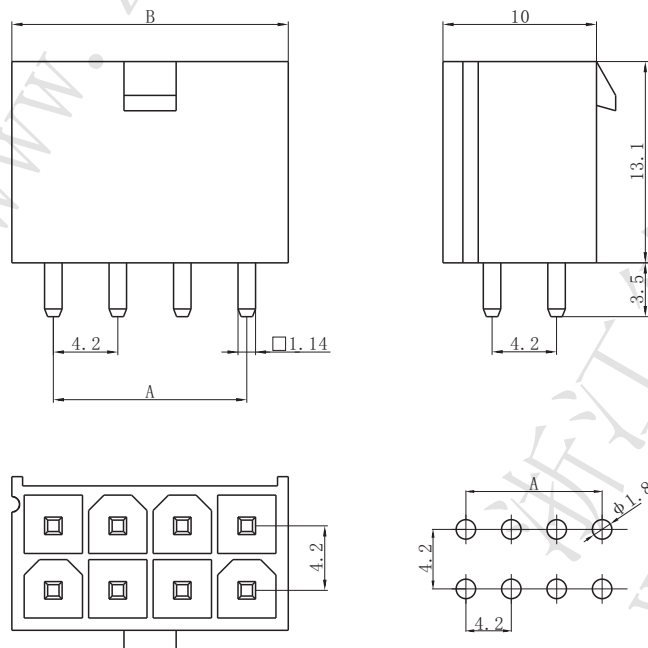
Material (材料)

Housing (胶壳): Nylon (尼龙) UL94- V0 (2)

Wafer (接触件): Brass (黄铜) / Tin plated (镀锡)

符合RoHS标准
RoHS compliance
注: 镀金产品请联系DLL
Note: Contact DLL for gold-plated products.

DL42004-A (5569-A)



Circuits (电路)	Dimensions (尺寸mm)	
	A	B
2X1	/	5.40
2X2	4.20	9.60
2X3	8.40	13.80
2X4	12.60	18.00
2X5	16.80	22.20
2X6	21.00	26.40
2X7	25.20	30.60
2X8	29.40	34.80
2X9	33.60	39.00
2X10	37.80	43.20
2X11	42.00	47.40
2X12	46.20	51.60

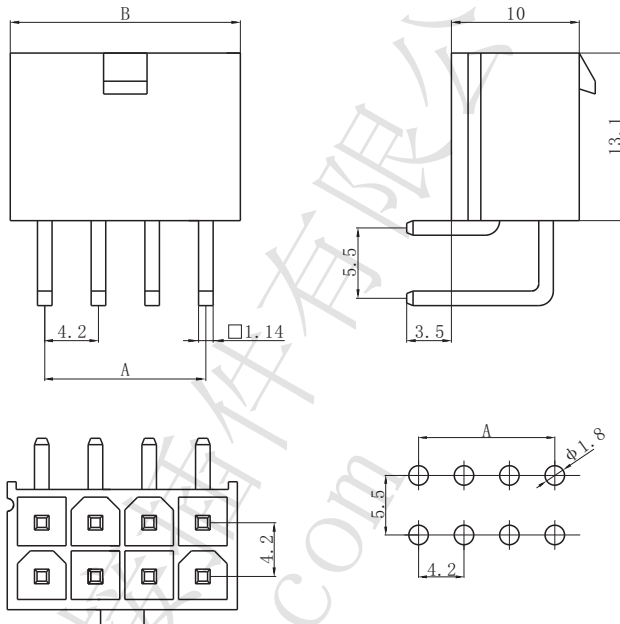
Material (材料)

Housing (胶壳): Nylon (尼龙) UL94- V0 (2)

Wafer (接触件): Brass (黄铜) / Tin plated (镀锡)

符合RoHS标准
RoHS compliance
注: 镀金产品请联系DLL
Note: Contact DLL for gold-plated products.

DL42004-AW (5569-AW)



Circuits (电路)	Dimensions (尺寸mm)	
	A	B
2X1	/	5.40
2X2	4.20	9.60
2X3	8.40	13.80
2X4	12.60	18.00
2X5	16.80	22.20
2X6	21.00	26.40
2X7	25.20	30.60
2X8	29.40	34.80
2X9	33.60	39.00
2X10	37.80	43.20
2X11	42.00	47.40
2X12	46.20	51.60

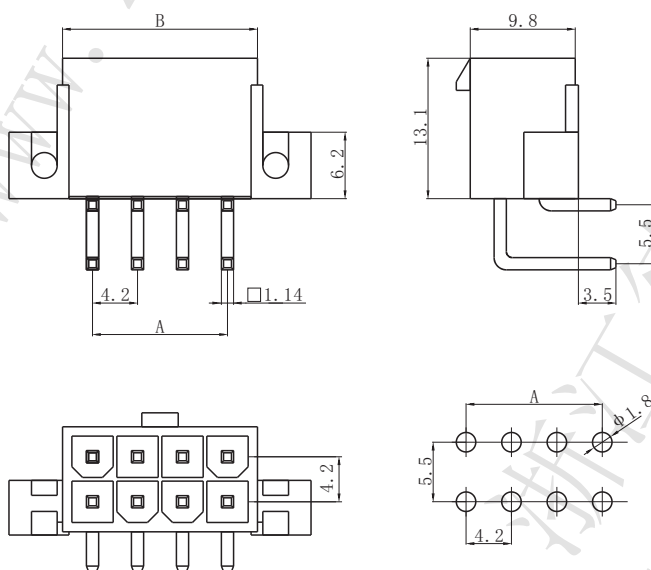
Material (材料)

Housing (胶壳): Nylon (尼龙) UL94- V0 (2)

Wafer (接触件): Brass (黄铜) / Tin plated (镀锡)

符合RoHS标准
RoHS compliance
注: 镀金产品请联系DLL
Note: Contact DLL for gold-plated products.

DL42005-AW (5569F-AW)



Circuits (电路)	Dimensions (尺寸mm)	
	A	B
2X1	/	5.40
2X2	4.20	9.60
2X3	8.40	13.80
2X4	12.60	18.00
2X5	16.80	22.20
2X6	21.00	26.40
2X7	25.20	30.60
2X8	29.40	34.80
2X9	33.60	39.00
2X10	37.80	43.20
2X11	42.00	47.40
2X12	46.20	51.60

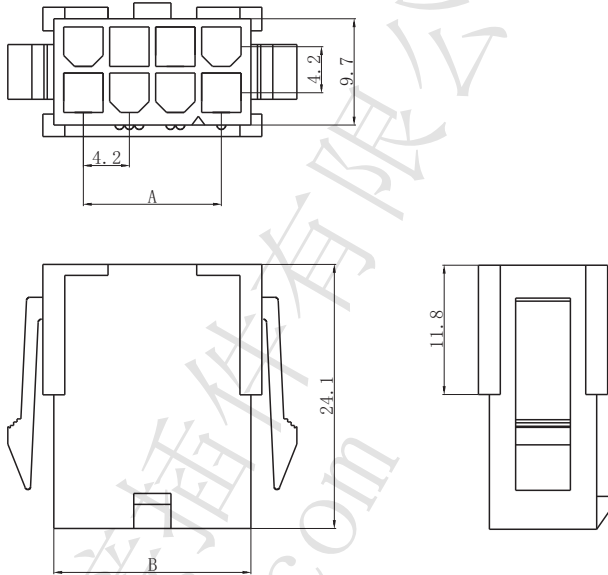
Material (材料)

Housing (胶壳): Nylon (尼龙) UL94- V0 (2)

Wafer (接触件): Brass (黄铜) / Tin plated (镀锡)

符合RoHS标准
RoHS compliance
注: 镀金产品请联系DLL
Note: Contact DLL for gold-plated products.

□ DL42002-R (5559-R)



Circuits (电路)	Dimensions (尺寸mm)	
	A	B
2X1	/	5.60
2X2	4.20	9.80
2X3	8.40	14.00
2X4	12.60	18.20
2X5	16.80	22.40
2X6	21.00	26.60
2X7	25.20	30.80
2X8	29.40	35.00
2X9	33.60	39.20
2X10	37.80	43.40
2X11	42.00	47.60
2X12	46.20	51.80

Material (材料)
Housing (胶壳): Nylon (尼龙) UL94- V0 (2)

符合RoHS标准
RoHS compliance