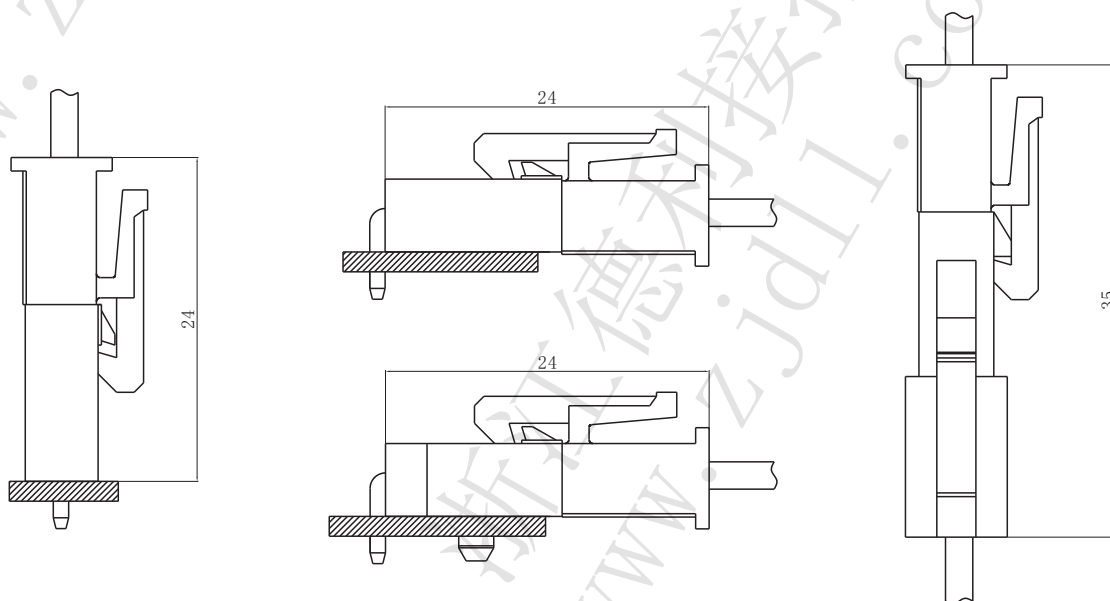


技术特性/Specifications:

额定电压 Rated voltage: 300V AC, DC
 额定电流 Rated current: 9A AC, DC
 接触电阻 Contact resistance: 20mΩ max
 绝缘电阻 Insulation resistance: 1000MΩ min
 耐压 Withstand voltage: 1500V AC/minute
 环境温度 Ambient temperature: -25°C~+85°C
 适用线规 Wire range: AWG#28~#16

PC电路板布局和组件布局 PC board layout and Assembly layout

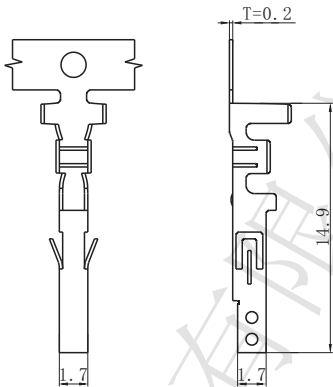
□ Assembly layout (装配布局)



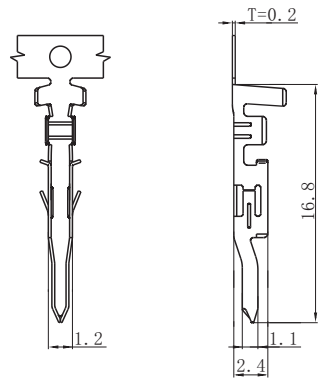
上图为连接器安装侧观察图

Notes: The above figure is the figure viewed from the connector mounting side.

□ DL42002-T (5556-T)



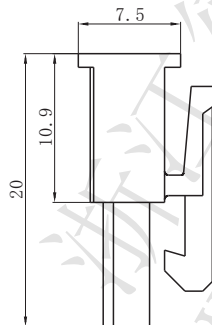
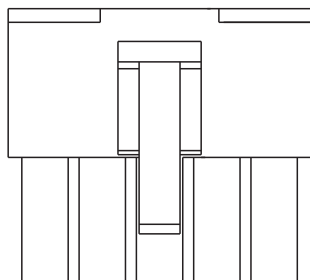
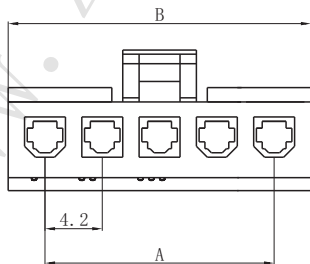
□ DL42002-RT (5558-RT)



Model No. (型号)	Applicable wire (适用线规)			Material (材料)	Plating (电镀)	Qty/reel (数量/盘)
	mm ²	AWG#	Insulation O.D. (绝缘外径mm)			
DL42002-T (5556-T)	0.08~1.30	28~16	φ 0.9~2.7	Phosphor bronze (磷青铜)	Tin Plated (镀锡)	3500
DL42002-RT (5558-RT)	0.08~0.82	28~18	φ 0.9~1.9	Phosphor bronze (磷青铜)	Tin Plated (镀锡)	5000

符合RoHS标准
RoHS compliance
注：镀金产品请联系DLL
Note: Contact DLL for gold-plated products.

□ DL42008-YM (5557-YM)



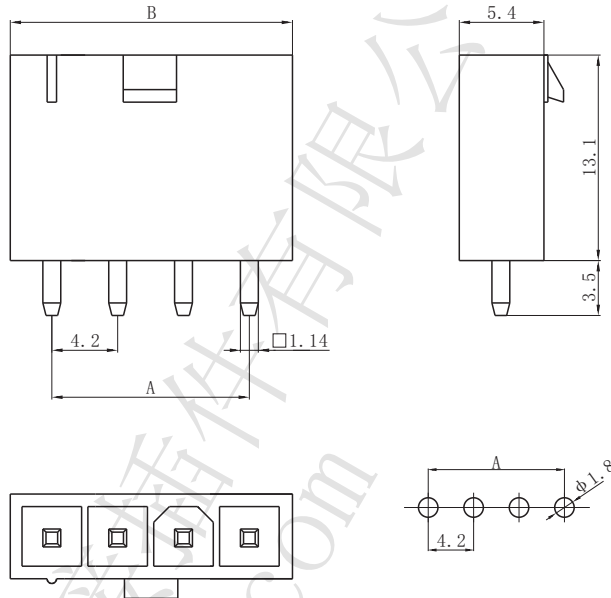
Circuits (电路)	Dimensions (尺寸mm)	
	A	B
2	4.20	9.60
3	8.40	13.80
4	12.60	18.00
5	16.80	22.20
6	21.00	26.40
7	25.20	30.60
8	29.40	34.80
9	33.60	39.00
10	37.80	43.20
11	42.00	47.40
12	46.20	51.60

Material (材料)

Housing (胶壳): Nylon (尼龙) UL94-V0 (2)

符合RoHS标准
RoHS compliance

DL42007-AM (5569-AM)



Circuits (电路)	Dimensions (尺寸mm)	
	A	B
2	4.20	9.60
3	8.40	13.80
4	12.60	18.00
5	16.80	22.20
6	21.00	26.40
7	25.20	30.60
8	29.40	34.80
9	33.60	39.00
10	37.80	43.20
11	42.00	47.40
12	46.20	51.60

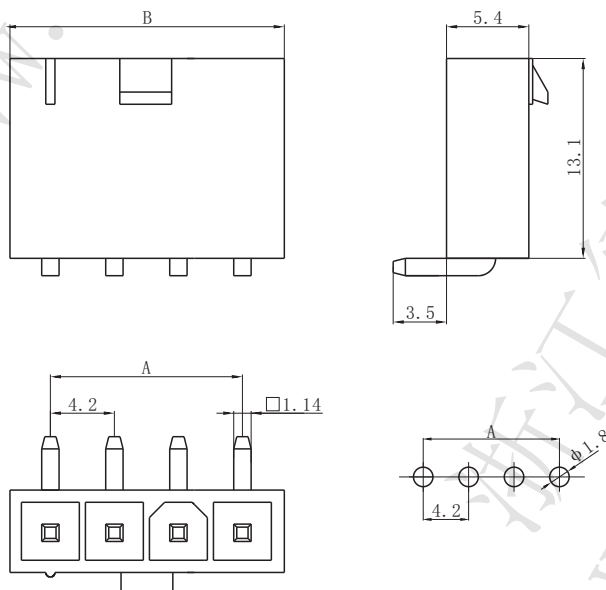
Material (材料)

Housing (胶壳): Nylon (尼龙) UL94-V0 (2)

Wafer (接触件): Brass (黄铜) / Tin plated (镀锡)

符合RoHS标准
RoHS compliance
注: 镀金产品请联系DLL
Note: Contact DLL for gold-plated products.

DL42007-AWM (5569-AWM)



Circuits (电路)	Dimensions (尺寸mm)	
	A	B
2	4.20	9.60
3	8.40	13.80
4	12.60	18.00
5	16.80	22.20
6	21.00	26.40
7	25.20	30.60
8	29.40	34.80
9	33.60	39.00
10	37.80	43.20
11	42.00	47.40
12	46.20	51.60

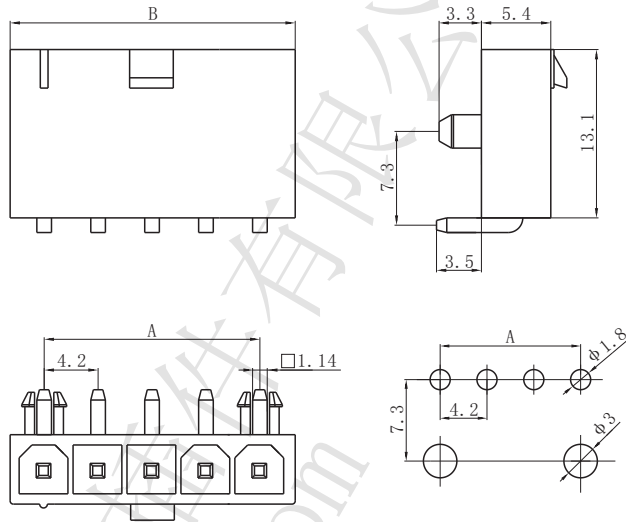
Material (材料)

Housing (胶壳): Nylon (尼龙) UL94-V0 (2)

Wafer (接触件): Brass (黄铜) / Tin plated (镀锡)

符合RoHS标准
RoHS compliance
注: 镀金产品请联系DLL
Note: Contact DLL for gold-plated products.

□ DL42007-AWSM (5569-AWSM)



Circuits (电路)	Dimensions (尺寸mm)	
	A	B
2	4.20	9.60
3	8.40	13.80
4	12.60	18.00
5	16.80	22.20
6	21.00	26.40
7	25.20	30.60
8	29.40	34.80
9	33.60	39.00
10	37.80	43.20
11	42.00	47.40
12	46.20	51.60

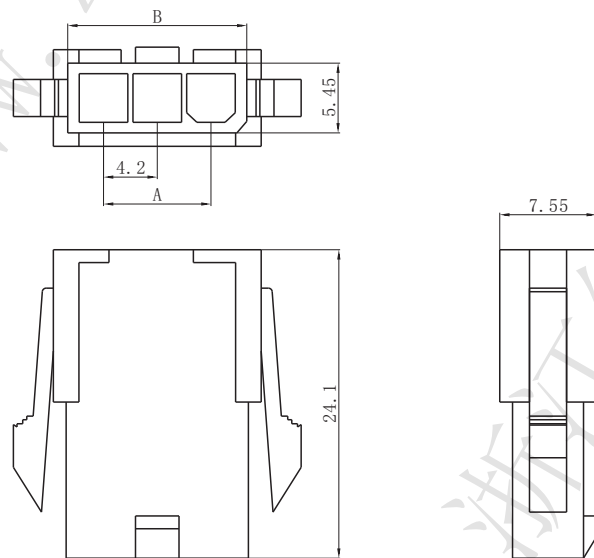
Material (材料)

Housing (胶壳): Nylon (尼龙) UL94-V0 (2)

Wafer (接触件): Brass (黄铜) / Tin plated (镀锡)

符合RoHS标准
RoHS compliance
注: 镀金产品请联系DLL
Note: Contact DLL for gold-plated products.

□ DL42008-RM (5559-RM)



Circuits (电路)	Dimensions (尺寸mm)	
	A	B
2	4.20	9.80
3	8.40	14.00
4	12.60	18.20
5	16.80	22.40
6	21.00	26.60
7	25.20	30.80
8	29.40	35.00
9	33.60	39.20
10	37.80	43.40
11	42.00	47.60
12	46.20	51.80

Material (材料)

Housing (胶壳): Nylon (尼龙) UL94-V0 (2)

符合RoHS标准
RoHS compliance