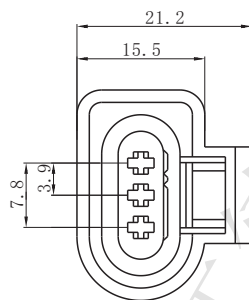
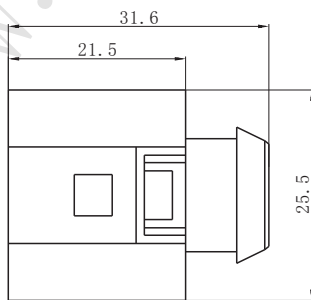


□ S051-3Y

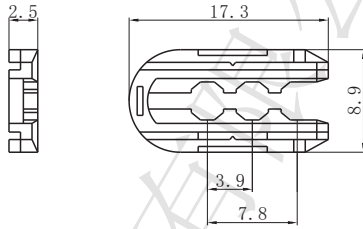


Material (材料)

Housing (胶壳): Nylon (尼龙) UL94-V0 (2)

符合RoHS标准  
RoHS compliance

□ S051-3S



Material (材料)

Housing (胶壳): Nylon (尼龙) UL94-V0 (2)

符合RoHS标准  
RoHS compliance