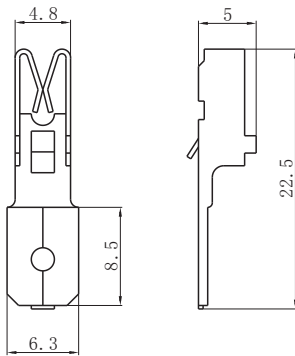


**技术特性/Specifications:**

额定电压 Rated voltage: 250V AC, DC  
 额定电流 Rated current: 10A AC, DC  
 接触电阻 Contact resistance: 20mΩ max  
 绝缘电阻 Insulation resistance: 500MΩ min  
 耐压 Withstand volage: 3000V AC/minute  
 环境温度 Ambient temperature: -25℃~+85℃

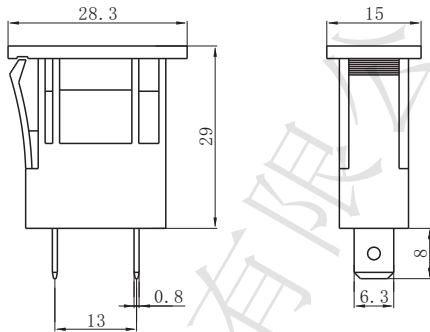
□ S035-T



Model No. (型号)	Applicable wire (适用线规)			Material (材料)	Plating (电镀)	Qty/reel (数量/盘)
	mm <sup>2</sup>	AWG#	Insulation O. D. (绝缘外径mm)			
S035-T	/	/	/	Brass (黄铜)	Tin Plated (镀锡)	/

符合RoHS标准  
 RoHS compliance  
 注: 镀金产品请联系DLL  
 Note: Contact DLL for gold-plated products.

□ S035-2Y



Material (材料)

Housing (胶壳): Nylon (尼龙) UL94-V0 (2)

符合RoHS标准  
RoHS compliance