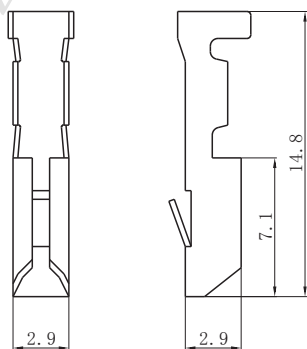


**技术特性/Specifications:**

额定电压 Rated voltage: 250V AC, DC  
 额定电流 Rated current: 3A AC, DC  
 接触电阻 Contact resistance: 20mΩ max  
 绝缘电阻 Insulation resistance: 1000MΩ min  
 耐压 Withstand voltage: 1500V AC/minute  
 环境温度 Ambient temperature: -25°C~+85°C  
 适用线规 Wire range: AWG#24~#18

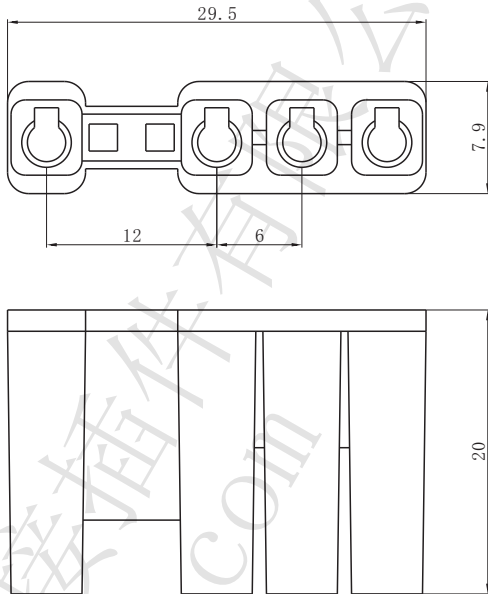
□ DL12661-T (TJC12-T)



Model No. (型号)	Applicable wire (适用线规)			Material (材料)	Plating (电镀)	Qty/reel (数量/盘)
	mm <sup>2</sup>	AWG#	Insulation O.D. (绝缘外径mm)			
DL12661-T (TJC12-T)	0.20~0.75	24~18	φ 0.5~3.2	Phosphor bronze (磷青铜)	Tin Plated (镀锡)	5000

符合RoHS标准  
 RoHS compliance  
 注: 镀金产品请联系DLL  
 Note: Contact DLL for gold-plated products.

□ DL12661-4Y (TJC12-4Y)



Material (材料)

Housing (胶壳): Nylon (尼龙) UL94- V0 (2)

符合RoHS标准  
RoHS compliance