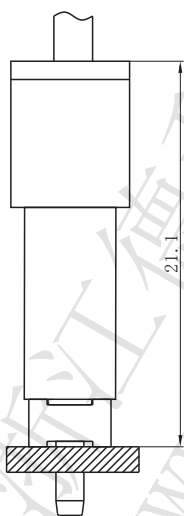


**技术特性/Specifications:**

额定电压 Rated voltage: 250V AC, DC  
 额定电流 Rated current: 4A AC, DC  
 接触电阻 Contact resistance: 10mΩ max  
 绝缘电阻 Insulation resistance: 1000MΩ min  
 耐压 Withstand voltage: 1500V AC/minute  
 环境温度 Ambient temperature: -25°C~+85°C  
 适用线规 Wire range: AWG#26~#20

**PC电路板布局和组件布局 PC board layout and Assembly layout**

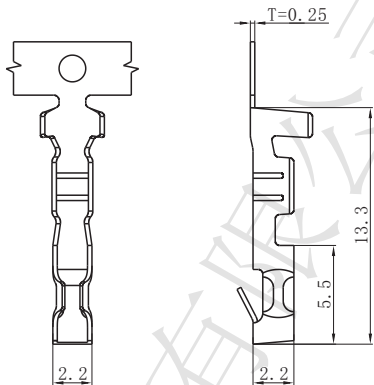
▣ Assembly layout (装配布局)



上图为连接器安装侧观察图

Notes: The above figure is the figure viewed from the connector mounting side.

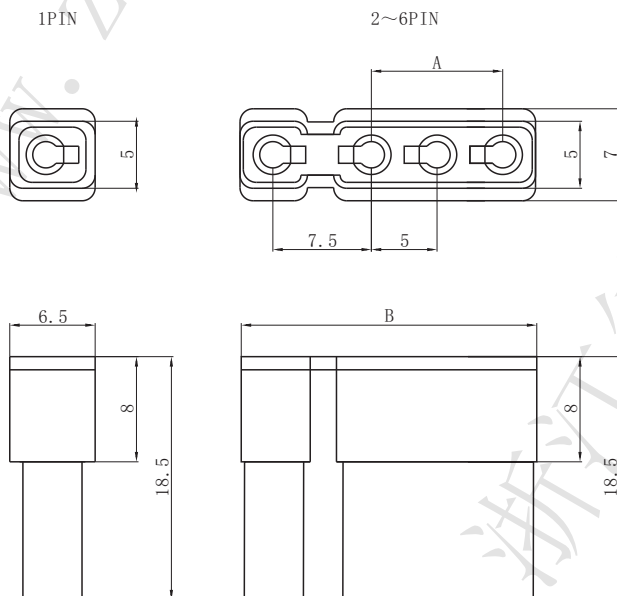
□ DL75552-T (TJC2-T)



Model No. (型号)	Applicable wire (适用线规)			Material (材料)	Plating (电镀)	Qty/reel (数量/盘)
	mm <sup>2</sup>	AWG#	Insulation O.D. (绝缘外径mm)			
DL75552-T(TJC2-T)	0.13~0.50	26~20	φ1.3~2.7	Phosphor bronze (磷青铜)	Tin Plated (镀锡)	6000

符合RoHS标准  
RoHS compliance  
注：镀金产品请联系DLL  
Note: Contact DLL for gold-plated products.

□ DL75552-Y (TJC2-Y)

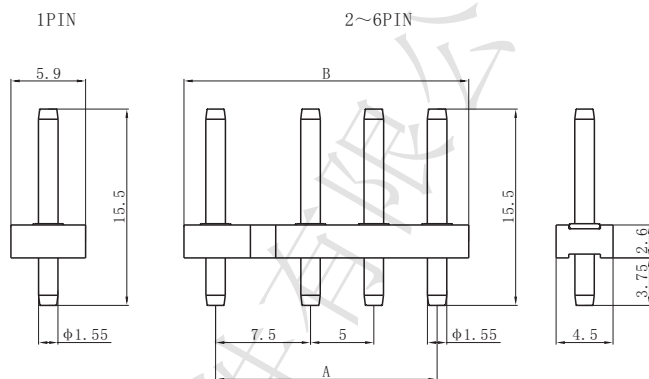


Circuits (电路)	Dimensions (尺寸mm)	
	A	B
1	/	6.5
2	/	12.8
3	5.00	17.80
4	10.00	22.80
5	15.00	27.80
6	20.00	32.80

Material (材料)
Housing (胶壳): Nylon (尼龙) UL94- V0 (2)

符合RoHS标准  
RoHS compliance

DL75552-A (TJC2-A)



Circuits (电路)	Dimensions (尺寸mm)	
	A	B
1	/	5.90
2	7.50	12.50
3	12.50	17.50
4	17.50	22.50
5	22.50	27.50
6	27.50	32.50

Material (材料)

Housing (胶壳): PBT

Wafer (接触件): Brass (黄铜) / Tin plated (镀锡)

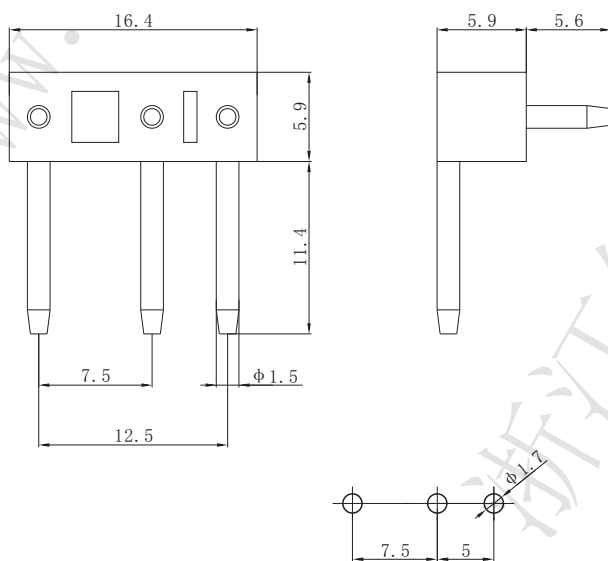
符合RoHS标准

RoHS compliance

注: 镀金产品请联系DLL

Note: Contact DLL for gold-plated products.

DL75552-3AW (TJC2-3AW)



Material (材料)

Housing (胶壳): PBT

Wafer (接触件): Brass (黄铜) / Tin plated (镀锡)

符合RoHS标准

RoHS compliance

注: 镀金产品请联系DLL

Note: Contact DLL for gold-plated products.