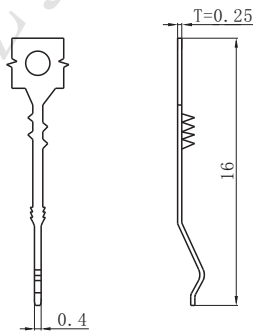


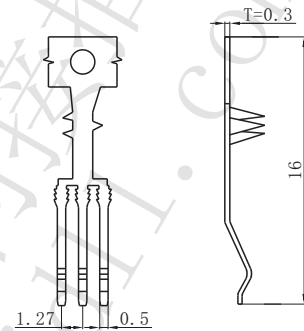
技术特性/Specifications:

额定电压 Rated voltage: 500V AC, DC
 额定电流 Rated current: 1.5A AC
 接触电阻 Contact resistance: 30mΩ max
 绝缘电阻 Insulation resistance: 1000MΩ min
 耐压 Withstand voltage: 500V AC/minute
 环境温度 Ambient temperature: -25°C~+85°C
 适用线规 Wire range: AWG#30~#24

□ SATA1.27-RT-1



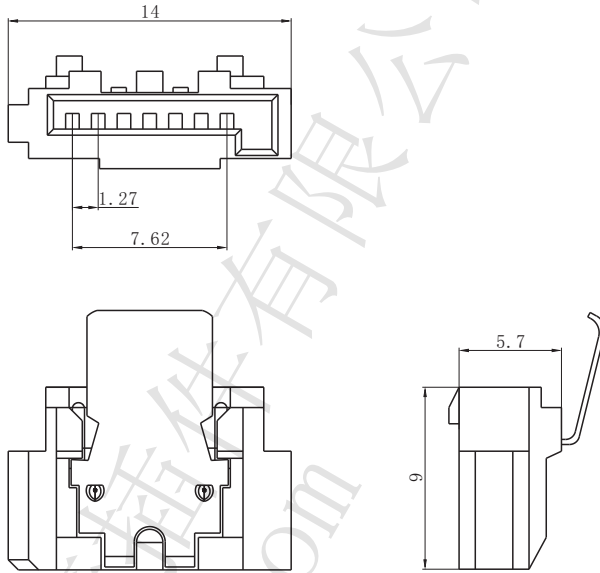
□ SATA1.27-RT-2



Model No. (型号)	Applicable wire (适用线规)			Material (材料)	Plating (电镀)	Qty/reel (数量/盘)
	mm ²	AWG#	Insulation O.D. (绝缘外径mm)			
SATA1.27-RT-1	0.05~0.20	30~24	φ 1.5~0.9	Phosphor bronze (磷青铜)	Gold Plated (镀金)	/
SATA1.27-RT-2	0.05~0.20	30~24	φ 1.5~0.9	Phosphor bronze (磷青铜)	Gold Plated (镀金)	/

符合RoHS标准
 RoHS compliance
 注: 镀锡产品请联系DLL
 Note: Contact DLL for tin-plated products.

□ SATA1.27-7R

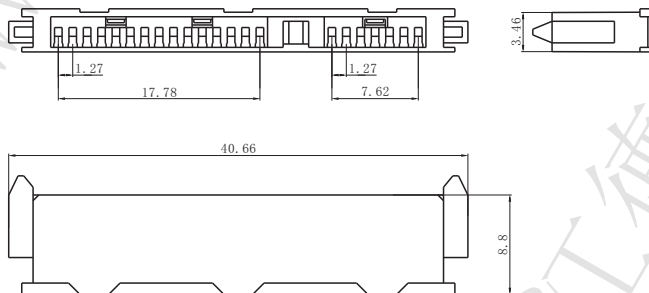


Material (材料)

Housing (胶壳): PBT

符合RoHS标准
RoHS compliance

□ SATA1.27-22R



Material (材料)

Housing (胶壳): PBT

符合RoHS标准
RoHS compliance