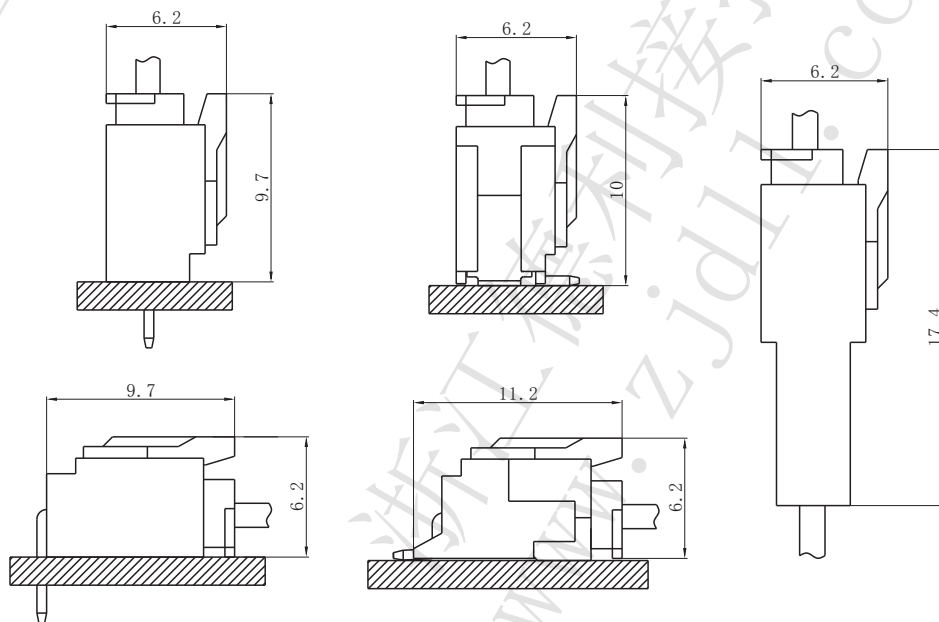


技术特性/Specifications:

额定电压 Rated voltage: 250V AC, DC
 额定电流 Rated current: 3A AC, DC
 接触电阻 Contact resistance: 20mΩ max
 绝缘电阻 Insulation resistance: 1000MΩ min
 耐压 Withstand voltage: 1000V AC/minute
 环境温度 Ambient temperature: -25°C~+85°C
 适用线规 Wire range: AWG#28~#22

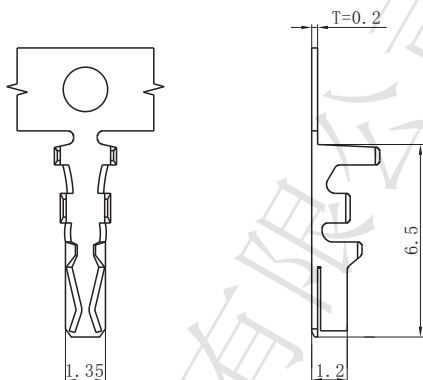
PC电路板布局和组件布局 PC board layout and Assembly layout

▣ Assembly layout (装配布局)

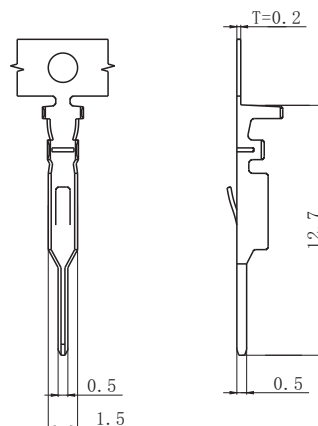


上图为连接器安装侧观察图
Notes: The above figure is the figure viewed from the connector mounting side.

□ DL20005-T (HY-T)



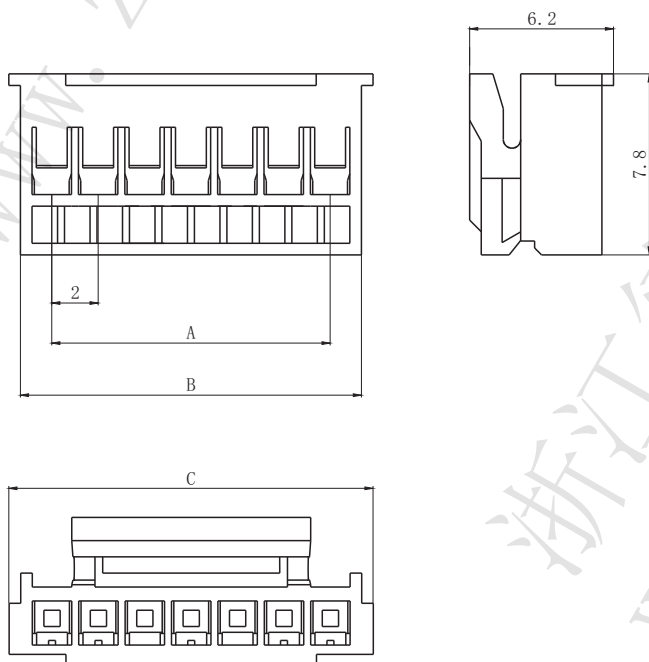
□ DL20005-RT (HY-RT)



Model No. (型号)	Applicable wire (适用线规)			Material (材料)	Plating (电镀)	Qty/reel (数量/盘)
	mm ²	AWG#	Insulation O.D. (绝缘外径mm)			
DL20005-T (HY-T)	0.05~0.33	28~22	φ 0.9~1.8	Phosphor bronze (磷青铜)	Tin Plated (镀锡)	12000
DL20005-RT (HY-RT)	0.05~0.33	28~22	φ 0.9~1.8	Phosphor bronze (磷青铜)	Tin Plated (镀锡)	12000

符合RoHS标准
RoHS compliance
注：镀金产品请联系DLL
Note: Contact DLL for gold-plated products.

□ DL20005-Y (HY-Y)



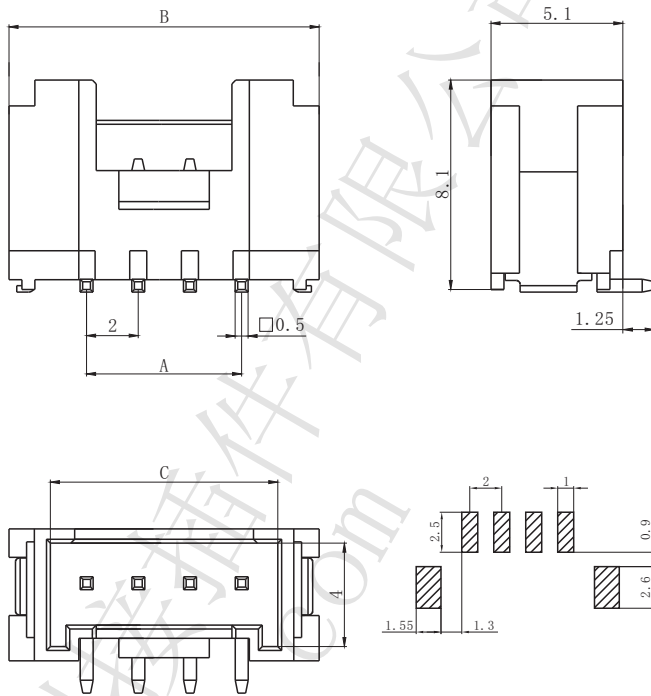
Circuits (电路)	Dimensions (尺寸mm)		
	A	B	C
2	2.00	4.60	5.60
3	4.00	6.60	7.60
4	6.00	8.60	9.60
5	8.00	10.60	11.60
6	10.00	12.60	13.60
7	12.00	14.60	15.60
8	14.00	16.60	17.60
9	16.00	18.60	19.60
10	18.00	20.60	21.60
11	20.00	22.60	23.60
12	22.00	24.60	25.60
13	24.00	26.60	27.60
14	26.00	28.60	29.60
15	28.00	30.60	31.60

Material (材料)

Housing (胶壳): Nylon (尼龙) UL94-V0 (2)

符合RoHS标准
RoHS compliance

DL20005-AB (HY-AB)



Circuits (电路)	Dimensions (尺寸mm)		
	A	B	C
2	2.00	8.00	4.75
3	4.00	10.00	6.75
4	6.00	12.00	8.75
5	8.00	14.00	10.75
6	10.00	16.00	12.75
7	12.00	18.00	14.75
8	14.00	20.00	16.75
9	16.00	22.00	18.75
10	18.00	24.00	20.75
11	20.00	26.00	22.75
12	22.00	28.00	24.75
13	24.00	30.00	26.75
14	26.00	32.00	28.75
15	28.00	34.00	30.75
16	30.00	36.00	32.75
17	32.00	38.00	34.75
18	34.00	40.00	36.75
19	36.00	42.00	38.75
20	38.00	44.00	40.75

Material (材料)

Housing (胶壳): LCP UL94-V0

Wafer (接触件): Brass (黄铜) / Tin plated (镀锡)

Solder tabs (焊片): Brass (黄铜) / Tin plated (镀锡)

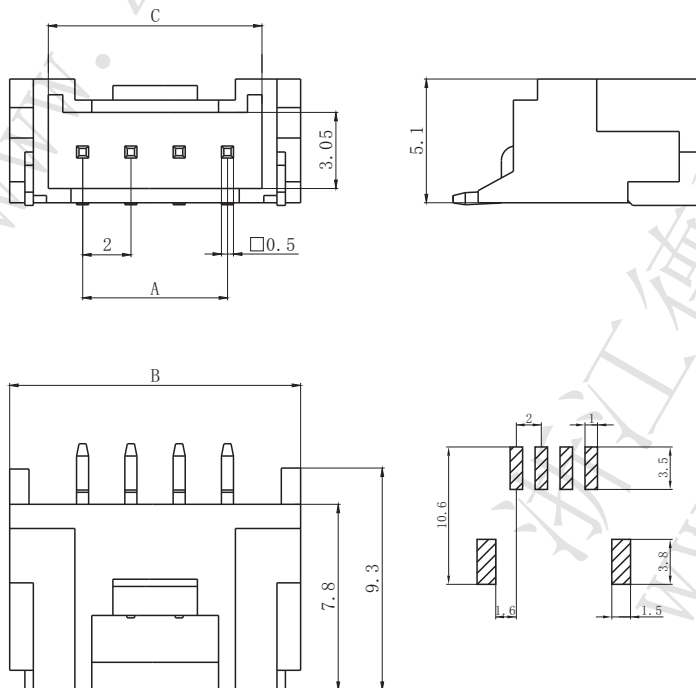
符合RoHS标准

RoHS compliance

注: 镀金产品请联系DLL

Note: Contact DLL for gold-plated products.

DL20005-AWB (HY-AWB)



Circuits (电路)	Dimensions (尺寸mm)		
	A	B	C
2	2.00	8.00	4.75
3	4.00	10.00	6.75
4	6.00	12.00	8.75
5	8.00	14.00	10.75
6	10.00	16.00	12.75
7	12.00	18.00	14.75
8	14.00	20.00	16.75
9	16.00	22.00	18.75
10	18.00	24.00	20.75
11	20.00	26.00	22.75
12	22.00	28.00	24.75
13	24.00	30.00	26.75
14	26.00	32.00	28.75
15	28.00	34.00	30.75
16	30.00	36.00	32.75
17	32.00	38.00	34.75
18	34.00	40.00	36.75
19	36.00	42.00	38.75
20	38.00	44.00	40.75

Material (材料)

Housing (胶壳): LCP UL94-V0

Wafer (接触件): Brass (黄铜) / Tin plated (镀锡)

Solder tabs (焊片): Brass (黄铜) / Tin plated (镀锡)

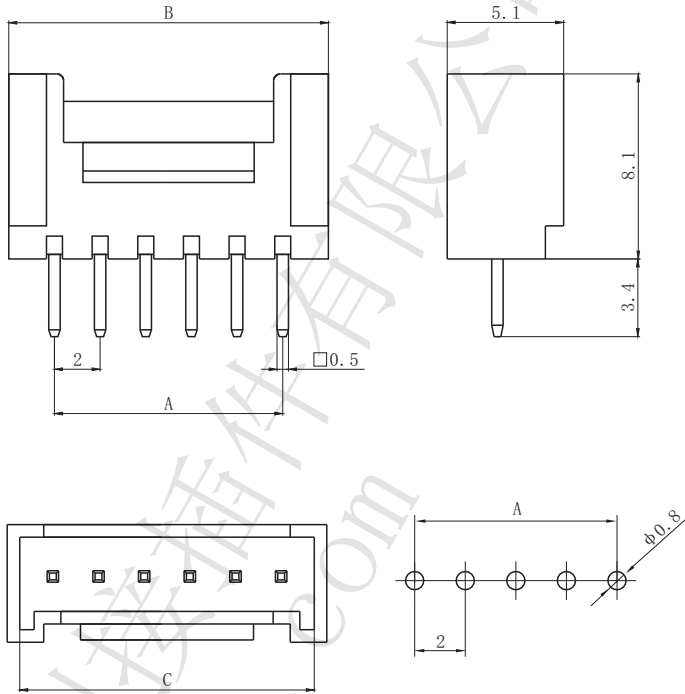
符合RoHS标准

RoHS compliance

注: 镀金产品请联系DLL

Note: Contact DLL for gold-plated products.

□ DL20005-A (HY-A)



Circuits (电路)	Dimensions (尺寸mm)		
	A	B	C
2	2.00	6.00	4.90
3	4.00	8.00	6.90
4	6.00	10.00	8.90
5	8.00	12.00	10.90
6	10.00	14.00	12.90
7	12.00	16.00	14.90
8	14.00	18.00	16.90
9	16.00	20.00	18.90
10	18.00	22.00	20.90
11	20.00	24.00	22.90
12	22.00	26.00	24.90
13	24.00	28.00	26.90
14	26.00	30.00	28.90
15	28.00	32.00	30.90
16	30.00	34.00	32.90
17	32.00	36.00	34.90

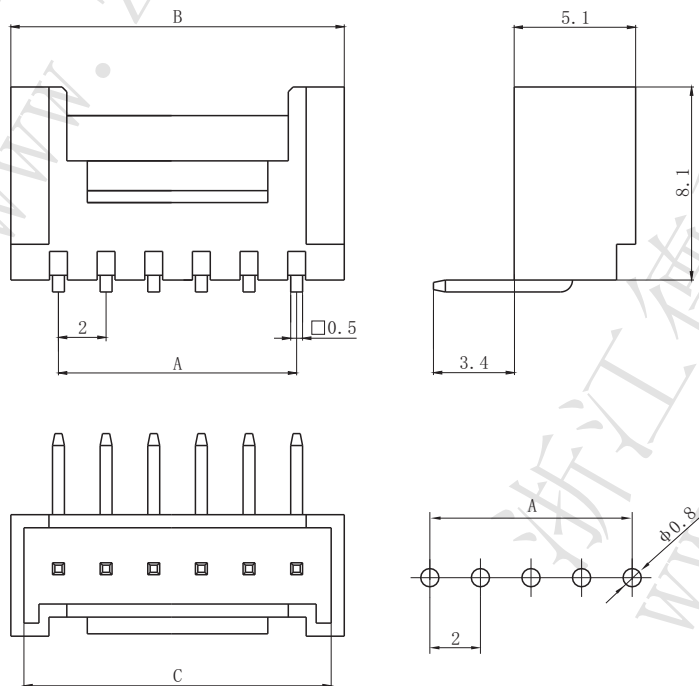
Material (材料)

Housing (胶壳): Nylon (尼龙) UL94- V0 (2)

Wafer (接触件): Brass (黄铜) / Tin plated (镀锡)

符合RoHS标准
RoHS compliance
注: 镀金产品请联系DLL
Note: Contact DLL for gold-plated products.

□ DL20005-AW (HY-AW)



Circuits (电路)	Dimensions (尺寸mm)		
	A	B	C
2	2.00	6.00	4.90
3	4.00	8.00	6.90
4	6.00	10.00	8.90
5	8.00	12.00	10.90
6	10.00	14.00	12.90
7	12.00	16.00	14.90
8	14.00	18.00	16.90
9	16.00	20.00	18.90
10	18.00	22.00	20.90
11	20.00	24.00	22.90
12	22.00	26.00	24.90
13	24.00	28.00	26.90
14	26.00	30.00	28.90
15	28.00	32.00	30.90
16	30.00	34.00	32.90
17	32.00	36.00	34.90

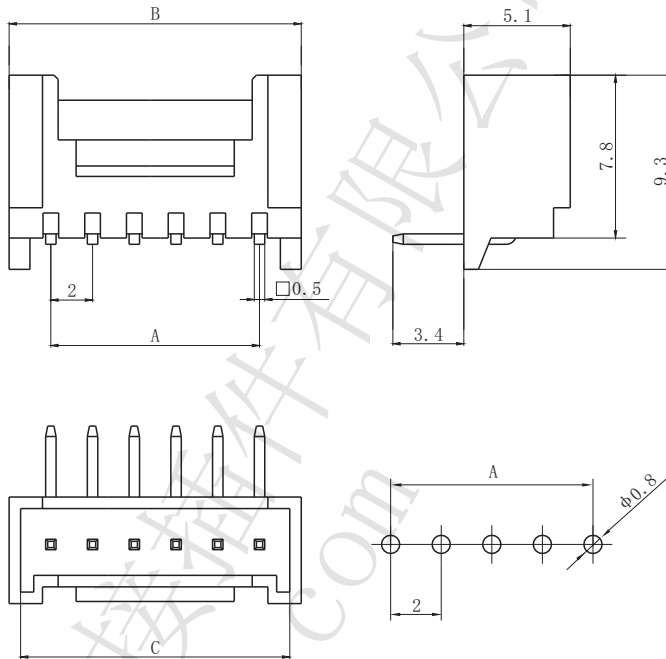
Material (材料)

Housing (胶壳): Nylon (尼龙) UL94- V0 (2)

Wafer (接触件): Brass (黄铜) / Tin plated (镀锡)

符合RoHS标准
RoHS compliance
注: 镀金产品请联系DLL
Note: Contact DLL for gold-plated products.

DL20005-AWD (HY-AWD)



Circuits (电路)	Dimensions (尺寸mm)		
	A	B	C
2	2.00	6.00	4.90
3	4.00	8.00	6.90
4	6.00	10.00	8.90
5	8.00	12.00	10.90
6	10.00	14.00	12.90
7	12.00	16.00	14.90
8	14.00	18.00	16.90
9	16.00	20.00	18.90
10	18.00	22.00	20.90
11	20.00	24.00	22.90
12	22.00	26.00	24.90
13	24.00	28.00	26.90
14	26.00	30.00	28.90
15	28.00	32.00	30.90
16	30.00	34.00	32.90
17	32.00	36.00	34.90

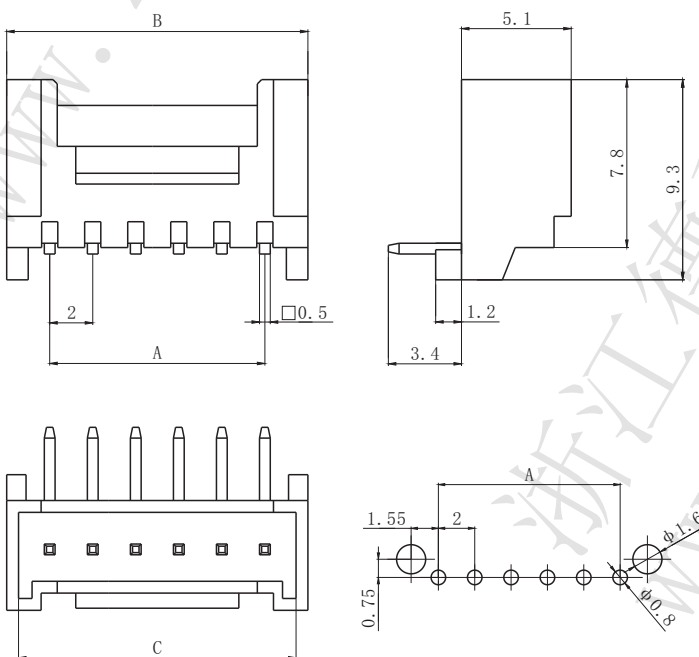
Material (材料)

Housing (胶壳): Nylon (尼龙) UL94-V0 (2)

Wafer (接触件): Brass (黄铜) / Tin plated (镀锡)

符合RoHS标准
RoHS compliance
注: 镀金产品请联系DLL
Note: Contact DLL for gold-plated products.

DL20005-AWD-S (HY-AWD-S)



Circuits (电路)	Dimensions (尺寸mm)		
	A	B	C
2	2.00	6.00	4.90
3	4.00	8.00	6.90
4	6.00	10.00	8.90
5	8.00	12.00	10.90
6	10.00	14.00	12.90
7	12.00	16.00	14.90
8	14.00	18.00	16.90
9	16.00	20.00	18.90
10	18.00	22.00	20.90
11	20.00	24.00	22.90
12	22.00	26.00	24.90
13	24.00	28.00	26.90
14	26.00	30.00	28.90
15	28.00	32.00	30.90
16	30.00	34.00	32.90
17	32.00	36.00	34.90

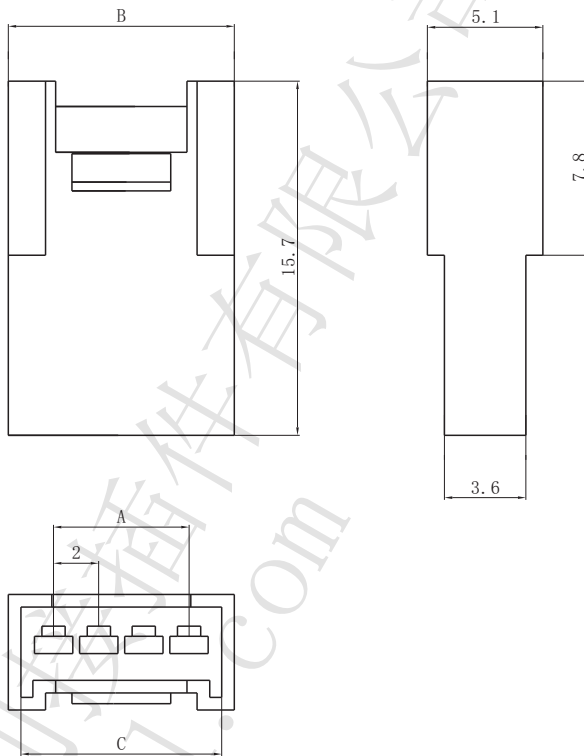
Material (材料)

Housing (胶壳): Nylon (尼龙) UL94-V0 (2)

Wafer (接触件): Brass (黄铜) / Tin plated (镀锡)

符合RoHS标准
RoHS compliance
注: 镀金产品请联系DLL
Note: Contact DLL for gold-plated products.

□ DL20005-R (HY-R)



Circuits (电路)	Dimensions (尺寸mm)		
	A	B	C
2	2.00	6.00	4.90
3	4.00	8.00	6.90
4	6.00	10.00	8.90
5	8.00	12.00	10.90
6	10.00	14.00	12.90
7	12.00	16.00	14.90
8	14.00	18.00	16.90
9	16.00	20.00	18.90
10	18.00	22.00	20.90
11	20.00	24.00	22.90
12	22.00	26.00	24.90
13	24.00	28.00	26.90
14	26.00	30.00	28.90
15	28.00	32.00	30.90
16	30.00	34.00	32.90
17	32.00	36.00	34.90

Material (材料)

Housing (胶壳): Nylon (尼龙) UL94-V0 (2)

符合RoHS标准
RoHS compliance