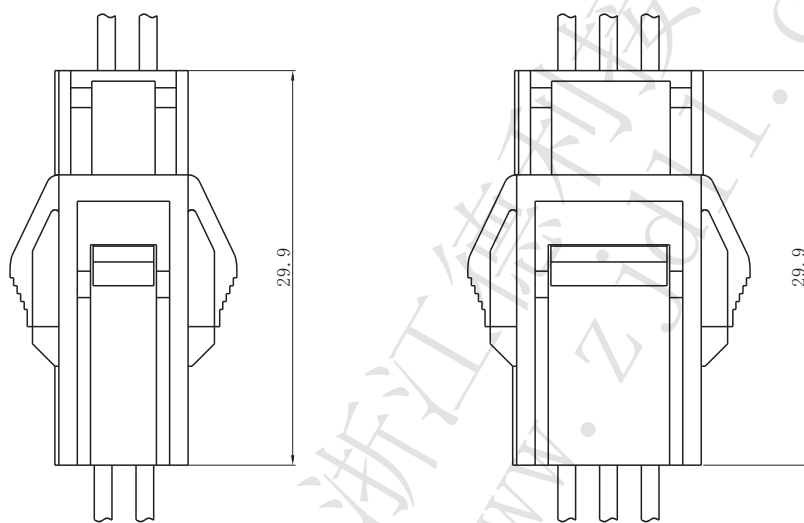


技术特性/Specifications:

额定电压 Rated voltage: 300V AC, DC
 额定电流 Rated current: 7A AC, DC
 接触电阻 Contact resistance: 20mΩ max
 绝缘电阻 Insulation resistance: 1000MΩ min
 耐压 Withstand voltage: 1500V AC/minute
 环境温度 Ambient temperature: -25°C~+85°C
 适用线规 Wire range: AWG#26~#18

PC电路板布局和组件布局 PC board layout and Assembly layout

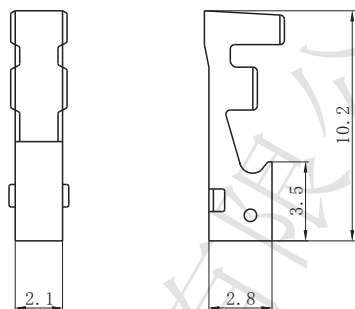
▣ Assembly layout (装配布局)



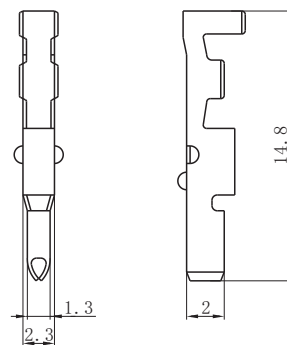
上图为连接器安装侧观察图

Notes: The above figure is the figure viewed from the connector mounting side.

□ DL42001-T (SL-T)



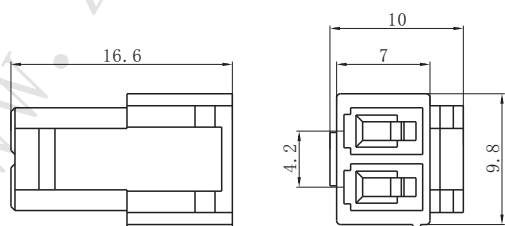
□ DL42001-RT (SL-RT)



Model No. (型号)	Applicable wire (适用线规)			Material (材料)	Plating (电镀)	Qty/reel (数量/盘)
	mm ²	AWG#	Insulation O.D. (绝缘外径mm)			
DL42001-T (SL-T)	0.13~0.82	26~18	φ1.0~3.0	Phosphor bronze (磷青铜)	Tin Plated (镀锡)	5000
DL42001-RT (SL-RT)	0.13~0.82	26~18	φ1.0~3.0	Phosphor bronze (磷青铜)	Tin Plated (镀锡)	4000

符合RoHS标准
RoHS compliance
注：镀金产品请联系DLL
Note: Contact DLL for gold-plated products.

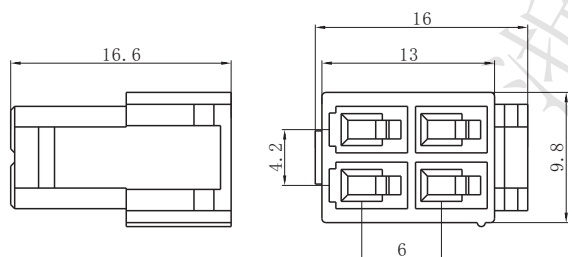
□ DL42001-2Y (SL-2Y)



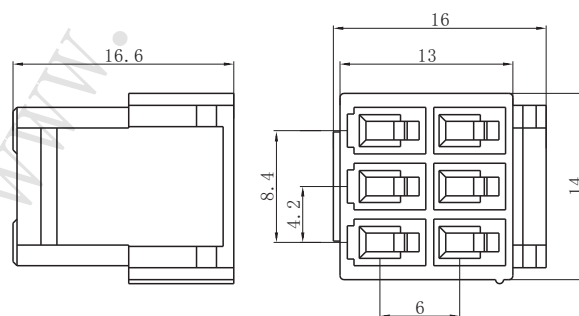
Material (材料)
Housing (胶壳): Nylon (尼龙) UL94-V0 (2)

符合RoHS标准
RoHS compliance

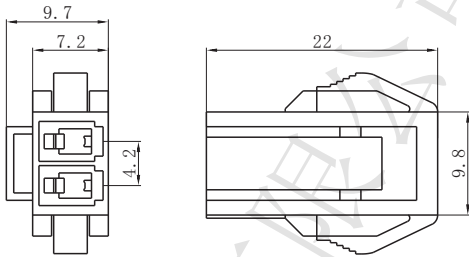
□ DL42001-4Y (SL-4Y)



□ DL42001-6Y (SL-6Y)



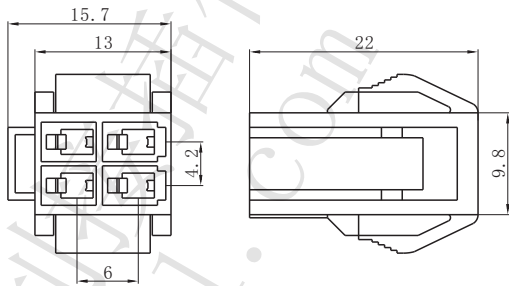
□ DL42001-2R (SL-2R)



Material (材料)
Housing (胶壳): Nylon (尼龙) UL94-V0 (2)

符合RoHS标准
RoHS compliance

□ DL42001-4R (SL-4R)



□ DL42001-6R (SL-6R)

