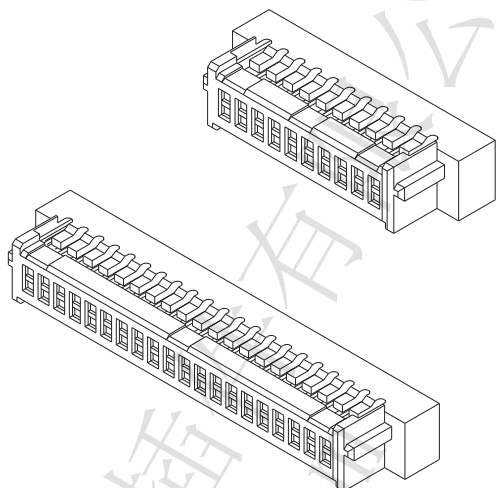
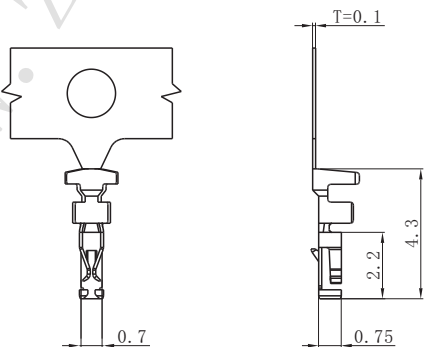


技术特性/Specifications:

额定电压 Rated voltage: 50V AC, DC
 额定电流 Rated current: 1A AC, DC
 接触电阻 Contact resistance: 20mΩ max
 绝缘电阻 Insulation resistance: 100MΩ min
 耐压 Withstand voltage: 250V AC/minute
 环境温度 Ambient temperature: -25°C~+85°C
 适用线规 Wire range: AWG#32~#28



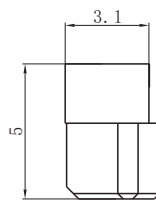
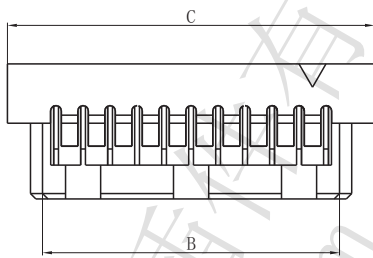
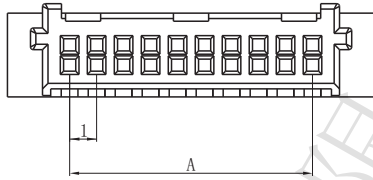
DL10003-T (DF20-T)



| Model No. (型号) | Applicable wire (适用线规) | | | Material (材料) | Plating (电镀) | Qty/reel (数量/盘) |
|-------------------|------------------------|-------|--------------------------|-----------------------|------------------|-----------------|
| | mm ² | AWG# | Insulation O.D. (绝缘外径mm) | | | |
| DL10003-T(DF20-T) | 0.032~0.08 | 32~28 | φ 0.5~0.6 | Phosphor bronze (磷青铜) | Gold Plated (镀金) | 10000 |

符合RoHS标准
 RoHS compliance
 注: 镀锡产品请联系DLL
 Note: Contact DLL for tin-plated products.

□ DL10003-Y (DF20-Y)



| Circuits (电路) | Dimensions (尺寸mm) | | |
|------------------|-------------------|-------|-------|
| | A | B | C |
| 2X10 | 9.00 | 11.00 | 13.60 |
| 2X15 | 14.00 | 16.00 | 18.60 |
| 2X20 | 19.00 | 21.00 | 23.60 |

Material (材料)

Housing (胶壳): Nylon (尼龙) UL94-V0 (2)

符合RoHS标准
RoHS compliance