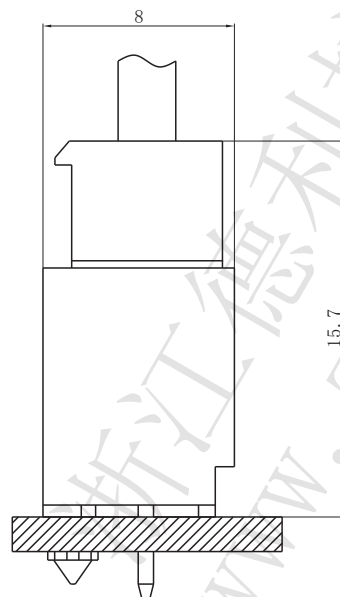


技术特性/Specifications:

额定电压 Rated voltage: 250V AC, DC
 额定电流 Rated current: 3A AC, DC
 接触电阻 Contact resistance: 20mΩ max
 绝缘电阻 Insulation resistance: 1000MΩ min
 耐压 Withstand voltage: 1000V AC/minute
 环境温度 Ambient temperature: -25℃~+85℃
 适用线规 Wire range: AWG#28~#24

PC电路板布局和组件布局 PC board layout and Assembly layout

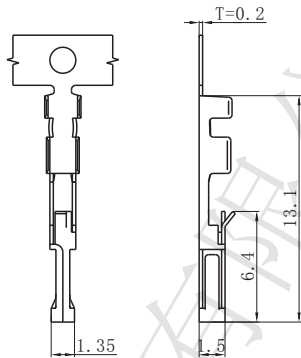
▣ Assembly layout (装配布局)



上图为连接器安装侧观察图

Notes: The above figure is the figure viewed from the connector mounting side.

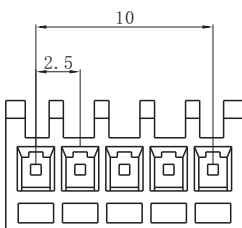
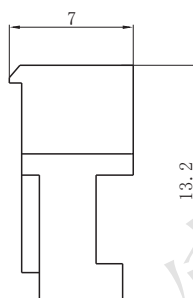
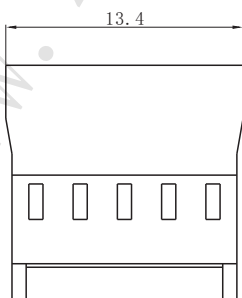
□ DL25027-T (TZT-018-W0051P-T)



Model No. (型号)	Applicable wire (适用线规)			Material (材料)	Plating (电镀)	Qty/reel (数量/盘)
	mm ²	AWG#	Insulation O.D. (绝缘外径mm)			
DL25027-T (TZT-018-W0051P-T)	0.08~0.20	28~24	φ 1.2~1.4	Phosphor bronze (磷青铜)	Gold Plated (镀金)	/

符合RoHS标准
RoHS compliance
注：镀锡产品请联系DLL
Note: Contact DLL for tin-plated products.

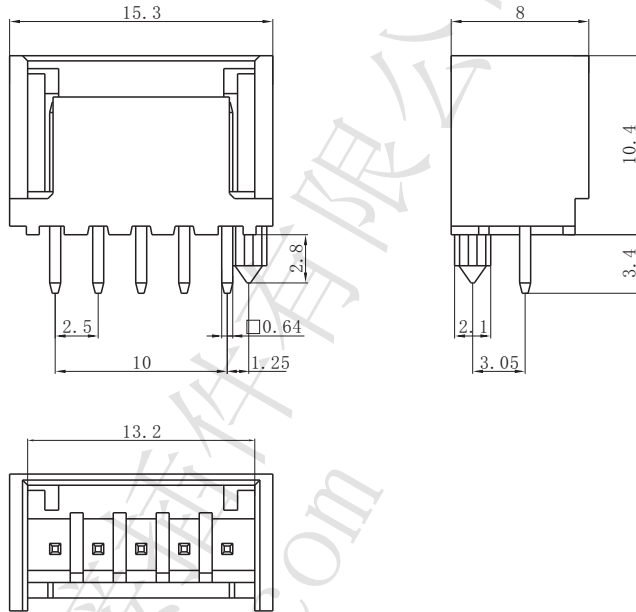
□ DL25027-5Y (TZT-018-W0051P-5Y)



Material (材料)
Housing (胶壳): PBT UL94-V0 (2)

符合RoHS标准
RoHS compliance

□ DL25027-5A (TZT-018-W0051P-5A)



Material (材料)

Housing (胶壳): PBT UL94-V0 (2)

Wafer (接触件): Brass (黄铜) / Tin plated (镀锡)

符合RoHS标准

RoHS compliance

注: 镀金产品请联系DLL

Note: Contact DLL for gold-plated products.